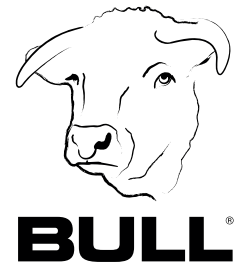


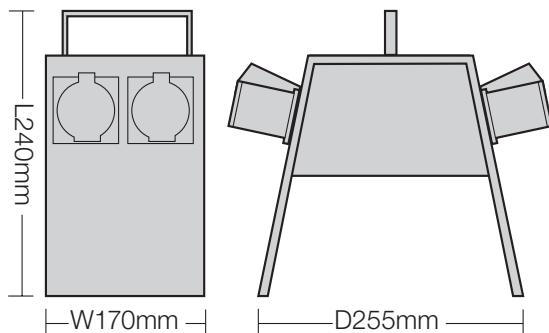
Splitter Box

LFUK4S



The Splitter Box is designed to split a single line input into four separate outlets, allowing multiple feed power access from a single feed supply.

Includes 5m 2.5mm² cable and 4 x 16A sockets



Product Specification

- IP: IP44
- Material: Reinforced steel
- Guarantee: 1 year
- Working Temperature: -15°C to 60°C
- Yellow finish

Dimensions (LxWxD mm)

- 240 x 170 x 255