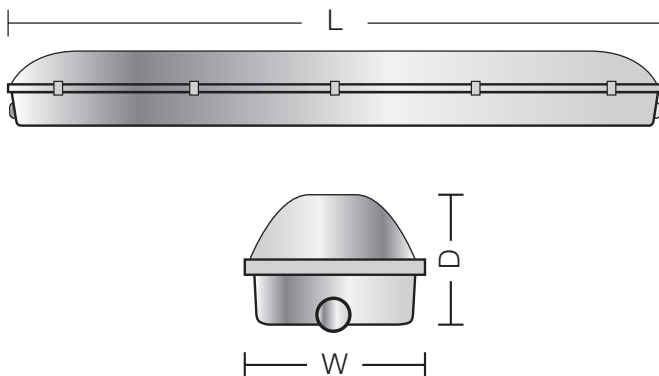


# 110V LED Site Non-Corrosive Fittings



WG20/E & WG25/E

The 110V LED non-corrosive lighting fittings come in both standard and emergency versions for use when emergency temporary lighting is needed.



## Product Specification

- IP/IK: IP65/IK07
- LED: 96 192pcs of 0.2W SMD 2835 / 168pcs of 0.5W SMD 2835
- Material: ABS and polycarbonate
- Lumen: 1800-4500lm (180-450lm in emergency)
- Colour Temperature: 4000K
- Guarantee: 2 years
- Life Expectancy: 30,000 hours
- Working Temperature: -10°C to 45°C (0°C to 40°C in emergency)
- Power Factor: 0.5 / 0.9
- Beam Angle: 120°
- CRI: 80 Ra
- 90lm/W
- Accessory pack included
- Fast fit connector included
- Hanging bracket included
- Ni-Cd battery included in the emergency versions
- Opal diffuser
- 20mm gland sizes
- Painted metal LED tray included
- Plastic clips included
- Yellow finish

## Dimensions (LxWxD mm)

- WG20/WG20E 664 x 103 x 78
- WG25/WG25E 1562 x 72 x 78

Bull Products Ltd  
Beacon House, 4 Beacon Road  
Rotherwas, Hereford HR2 6JF

Registered in England & Wales  
Registered Number 8587906  
VAT Number 873 5255 05

01432 806806  
sales@bullproducts.co.uk  
www.bullproducts.co.uk

*securing your safety*