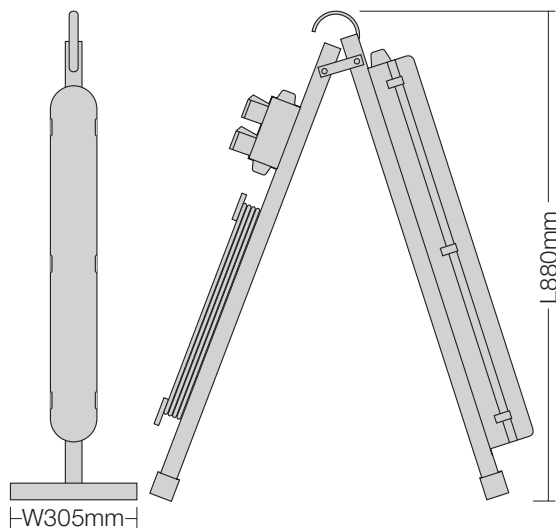


110V LED Non-Corrosive A-Frames



LNCF20C/EC

The 110V LED Non Corrosive A-Frame includes a 5m cable and is suitable for all site lighting applications.



Product Specification

- IP/IK: IP65/IK07
- LED: 96pcs of 0.2W 2835
- Material: Heads - ABS and polycarbonate
- Tripod - Steel
- Lumen Output: 1800lm
- Colour Temperature: 4000K
- Guarantee: 2 years
- Life Expectancy: 30,000 hours
- Working Temperature: -10°C to 40°C (0°C to 40°C in emergency)
- Power Factor: 0.9
- Beam Angle: 120°
- CRI: 80 Ra
- Painted metal LED tray included
- Plastic clips included
- Yellow finish

Dimensions (LxWxD mm)

- LNCF20C 880 (950 closed) x 305 x 260
- LNCF20EC 880 (950 closed) x 305 x 260

Bull Products Ltd
Beacon House, 4 Beacon Road
Rotherwas, Hereford HR2 6JF

Registered in England & Wales
Registered Number 8587906
VAT Number 873 5255 05

01432 806806
sales@bullproducts.co.uk
www.bullproducts.co.uk

securing your safety